

ASSEMBLY INSTRUCTIONS

PARK GARDEN CLAD & WOOD SWING PATIO DOORS

STEP #1

After rough opening has been prepared you are ready to begin assembly of the door unit.

FRAME ASSEMBLY—REVERSIBLE FRAME

STEP #2

With the outside facing down arrange frame components on a **clean level** surface for assembly. Arrange center mull post with hinges toward active opening.

Note: For left hand operation center mull posts must be reversed. To accomplish this slide the aluminum mull cladding off the mull posts and reapply in the opposite. Angled end of mull cladding must be at the bottom sill end.

STEP #3 USE SILICONE CAULK

Caulk & locate center mull posts into mull locations on head jamb. Attach with screws provided (Figure A).

STEP #4 USE SILICONE CAULK

Caulk & position mull posts onto mull locations on sill (Figure C). **Do not screw through bottom of sill.**

STEP #5 USE SILICONE CAULK

Apply silicone caulk to the sill ends (Figure D). **Make certain caulking does not adhere to weep doors at ends of sill.** This will prevent water from weeping out of the sill properly. Align components and attach sill to side jambs with screws provided as shown.

STEP #6 USE SILICONE

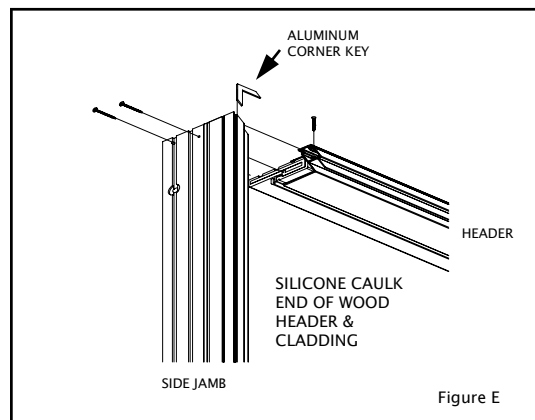
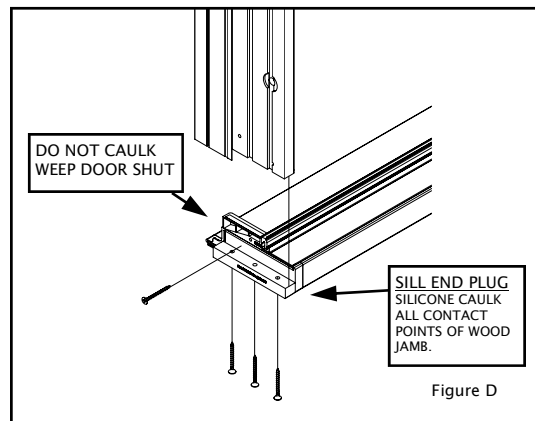
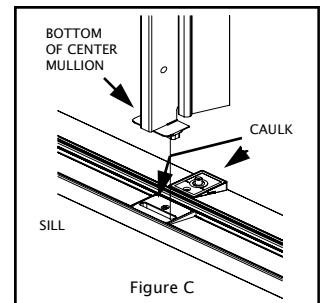
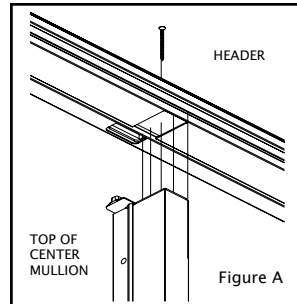
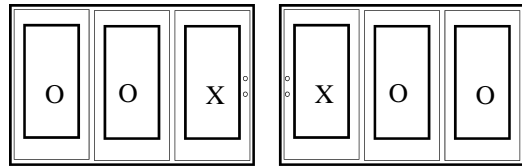
Apply silicone caulk to end of header (Figure E). For clad units insert corner keys into top of side jambs. Insert exposed end of corner key into head jamb cladding push head and side jamb together. Fasten side jambs to header with screws provided. Screw clad corners together from top of header into side jambs w/screws provided.

For clad units insert nailing fin into accessory groove on outside of frame.

FRAME ASSEMBLY IS COMPLETE

END SWING UNITS THREE PANEL STAT/STAT/ACTIVE

THREE PANEL ACTIVE STAT/STAT



SASH INSTALLATION IN FRAME

STEP #1

Insert a stationary door panel in the end frame opening. Make certain the wood glazing stops are facing the interior side of the frame.

Line up threaded inserts with holes in side jamb (Figure F).

Insert bolts through holes in side jamb and thread into stationary panels.

Tighten bolts —do not over tighten.

STEP #2

Insert special “peg” bolts through mull post on other side of stationary panel. These bolts allow two stationary panels to be stationed next to each other.

STEP #3

Before setting into frame insert the remaining three “peg” bolts into second stationary panel at the edge closest to first stationary panel.

STEP #4

Insert second stationary panel by setting “peg” bolt edge into frame so that peg bolts slide into holes in mull post.

STEP #5

After second stationary panel is set into frame insert the three remaining frame bolts through mull post into panel.

STEP #6

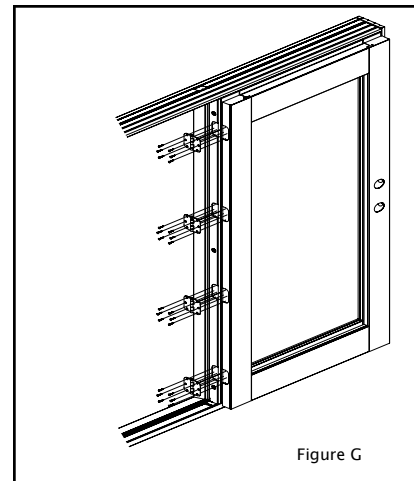
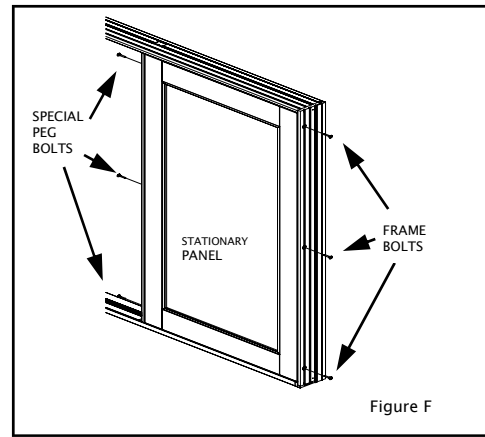
Attach hinges to mull post.

STEP #7

Position active panel with exterior side facing up on stationary panel and attach hinges (Figure G).

STEP #8

Apply locking hardware per manufacturer’s instructions.



INSTALLATION PROCEDURE

STEP #1

Before installing unit caulk subflooring generously where sill is to be set. Use minimum of four straight Continuous 1/4” beads of silicone caulk running parallel to the exterior wall. The bead closest to the exterior shall be as close as possible to the exterior.

STEP #2

CLAD UNIT:

Attach nailing fin to frame.

STEP #3

From the exterior place bottom of unit into opening and tilt into place. Secure unit into frame immediately to prevent unit from falling out of opening.

Plumb the unit and shim where necessary before nailing the unit in place.

STEP #4

CLAD UNIT:

Fasten nailing fin to structure with 2” roofing nails (not provided).

WOOD BRICKMOULD UNIT:

Fasten wood brickmould to structure with 3” exterior grade finishing nails (not provided).

STEP #5 SCREEN INSTALLATION

Install screen per instructions attached to screen.

